

4MP Indoor Pan & Tilt Wi-Fi Camera

Uho-S2E-M4



Key Features



- High quality image with 4MP, 1/3"CMOS sensor
- 4MP (2560*1440)@25/20fps; 3MP (2304*1296)@30/25fps; 2MP (1920*1080)@30/25fps
- Ultra 265, H.265, H.264
- Built-in Mic & Speaker, support two-way audio, offer better interaction
- IR night vision, up to 10m (33ft) IR distance
- Support 256 G Micro SD card
- Wi-Fi connection and easy installation

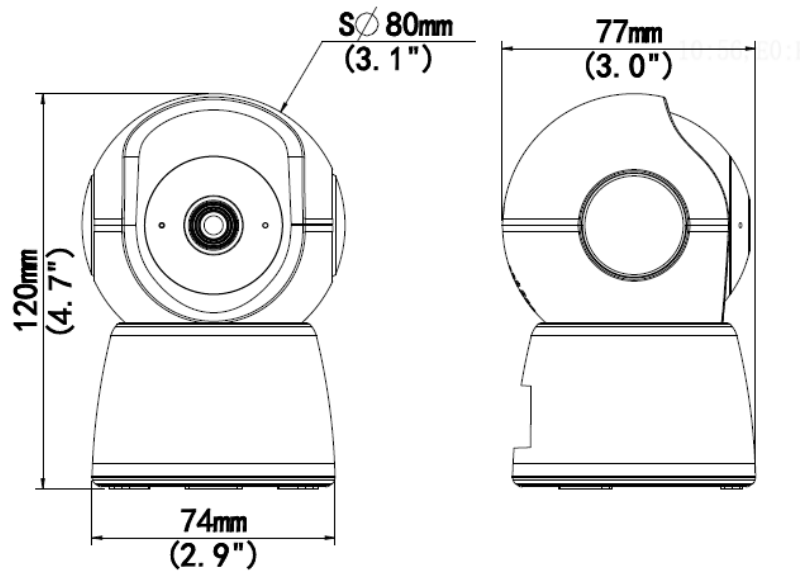
Specifications

	Uho-S2E-M4
Camera	
Sensor	1/3", 4.0 megapixel, progressive scan, CMOS
Minimum Illumination	Colour: 0.01 lux (F2.0, AGC ON) 0 lux with IR on
Day/Night	IR-cut filter with auto switch (ICR)
Shutter	Auto/Manual, 1/4 ~ 1/100000s
WDR	DWDR
S/N	>52dB
Lens	
Lens Type	4.0mm @F2.0
Iris	Fixed
Angle of View (H)	79.0°
Angle of View (V)	42.3°
Angle of View (O)	85.1°
Illuminator	
IR Range	Up to 10m (33ft)
Wavelength	850nm
IR On/Off Control	Auto/Manual
Video	
Video Compression	Ultra 265, H.265, H.264
Frame Rate	Main Stream: 4MP (2560*1440), Max 25fps; 3MP (2304*1296), Max 30fps; 2MP (1920*1080), Max 30fps; 720P (1280*720), Max 30fps; Sub Stream: 640*360, Max 30fps; 2CIF(704*288), Max 30fps; CIF(352*288), Max 30fps;;
Video Bit Rate	128 Kbps~6144 Kbps
ROI	Up to 8 areas
Video Stream	Dual streams
OSD	Up to 2 OSDs
Privacy Mask	Up to 4 areas
Image	
White Balance	Auto/Outdoor/Fine Tune/Sodium Lamp/Locked/Auto2
Digital Noise Reduction	2D/3D DNR
Smart IR	Support
Flip	Normal/Flip Vertical/Flip Horizontal/180°
HLC	N/A
BLC	N/A
Defog	Digital Defog
Events	
Basic Detection	Human body detection, Motion detection, Audio Detection
Auto tracking	Support
General Function	IP address filtering, Access policy, ARP protection, RTSP authentication, User authentication, HTTP authentication

Audio	
Audio Compression	G.711U,G.711A
Audio Bitrate	64 Kbps
Two-way Audio	Support
Suppression	Support
Sampling Rate	8 kHz
Storage	
Edge Storage	Micro SD, up to 256GB
Network Storage	ANR
Network	
Wi-Fi	2.4G Wi-Fi (IEEE802.11b/g/n), built-in antenna
Protocols	IPv4, TCP, UDP, DHCP, RTSP, DNS, DDNS, NTP, HTTP
Compatible Integration	API
Client	Uniarch Client Uniarch APP
Web Browser	Plug-in required live view: IE 10 and above, Chrome 45 and above, Firefox 52 and above, Edge 79 and above
	Plug-in free live view: Chrome 57.0 and above, Firefox 58.0 and above, Edge 16 and above
Pan & Tilt	
Pan Range	0° ~ 340°
Pan Speed	17°/s ~ 50°/s
	Preset speed: 50°/s
Tilt Range	-5° ~ 55°
Tilt Speed	17°/s ~ 50°/s
	Preset speed: 50°/s
Number of Presets	20
Home Position	Support
Interface	
Built-in Mic	Support
Built-in Speaker	Support
WIFI	Support
Network	1 * RJ45 10M/100M Base-TX Ethernet
Certifications	
EMC	CE EMC (EN 55032,EN 61000-3-3,EN IEC 61000-3-2,EN 50130) FCC (FCC 47 CFR part15 B)
RF	FCC ID (FCC CFR 47 part15 C) CE RED (EN 301 489-1, EN 301 489-17, EN 300 328, EN 62311)
Safety	CE LVD (EN 62368-1)
Environment	CE-RoHS (2011/65/EU;(EU)2015/863); WEEE (2012/19/EU)
General	
Power	DC 5V/1.5A
	Micro USB interface
Dimensions (Ø x H)	Ø80 x 120mm (Ø3.1" x 4.8")
Weight	0.18kg(0.40lb)
Working Environment	-10°C~50°C(-14°F ~ 122°F), Humidity: ≤95% RH (non-condensing)
Storage Environment	-10°C~50°C(-14°F ~ 122°F), Humidity: ≤95% RH (non-condensing)

Surge Protection	N/A
Reset Button	Support
LED indicator	1, red/blue

Dimensions



www.uniview.com/uniarch

©2024 Zhejiang Uniview Technologies Co., Ltd. All rights reserved.

*Product specifications and availability are subject to change without notice.